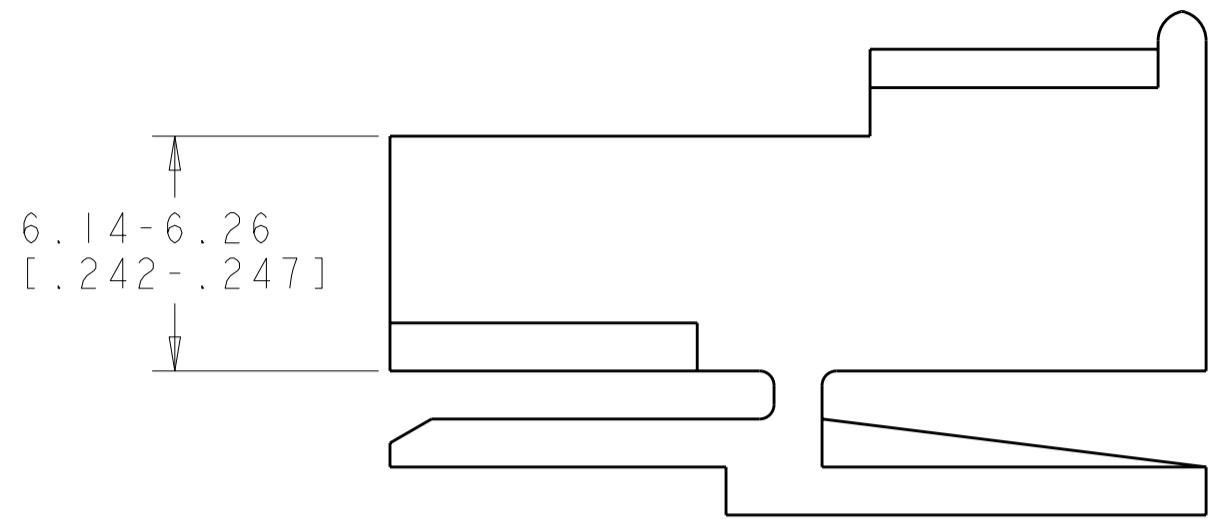
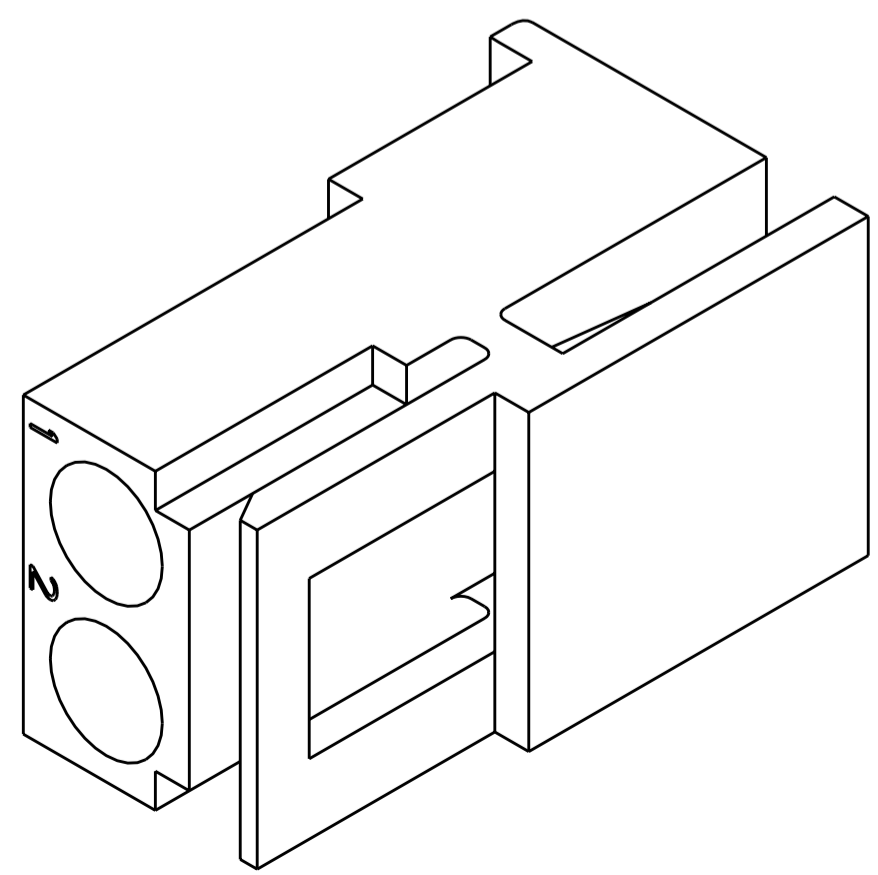
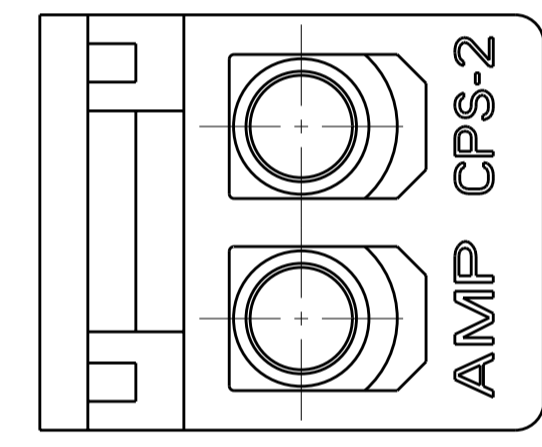
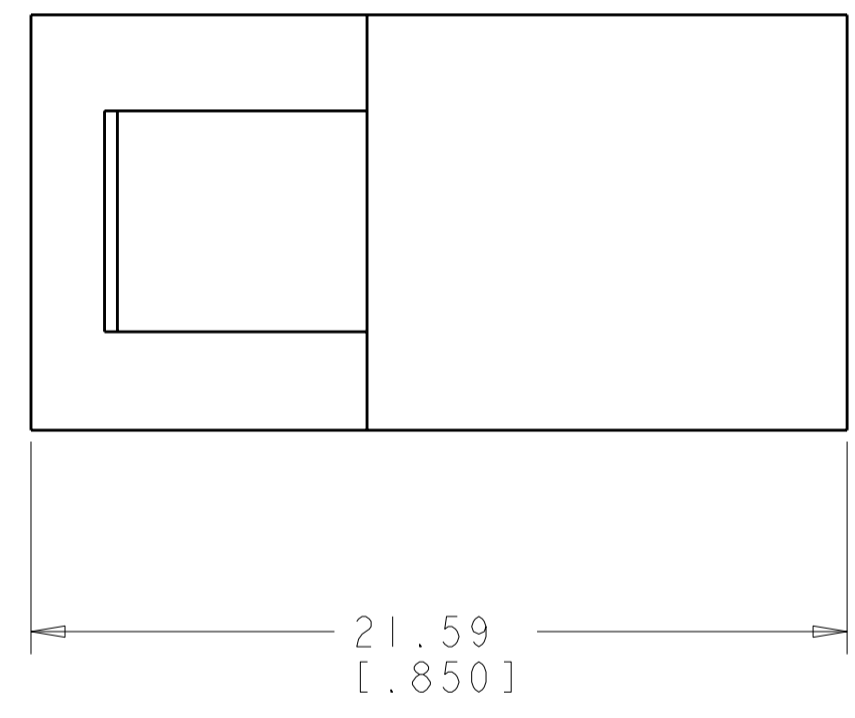
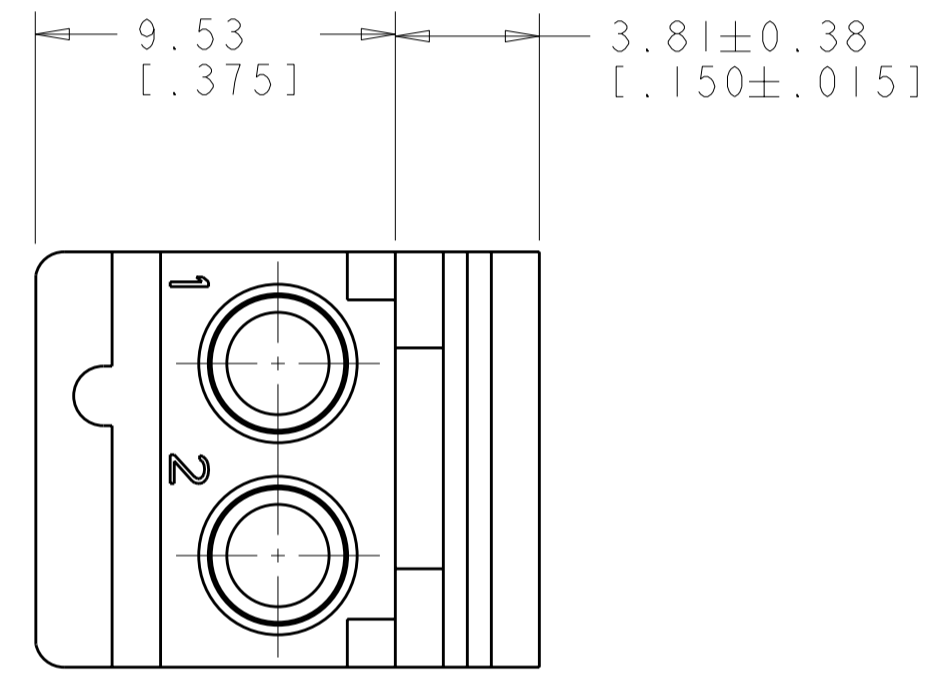


THIS DRAWING IS UNPUBLISHED. RELEASED FOR PUBLICATION 20
 © COPYRIGHT 20 BY TYCO ELECTRONICS CORPORATION. ALL RIGHTS RESERVED.

LOC		DIST		REVISIONS			
P	LTR	DESCRIPTION	DATE	DWN	APVD		
	J	ECO-08-007175	20MAR2008	KW	CC		



1. MATES WITH HEADER 350539, 350540.
2. TO BE USED WITH COMMERCIAL MATE-N-LOK™ SOCKETS.
3. MATES WITH CAP HOUSING 794012.



METRIC

0.078 IN ³	1-480720-0
VOLUME	PART NUMBER

THIS DRAWING IS A CONTROLLED DOCUMENT FOR TYCO ELECTRONICS CORPORATION. IT IS SUBJECT TO CHANGE AND THE CONTROLLING ENGINEERING ORGANIZATION SHOULD BE CONTACTED FOR THE LATEST REVISION.		DWN K. WHITAKER 27FEB2008	Tyco Electronics Harrisburg, PA 17105-3608	
DIMENSIONS: mm [INCHES]		CHK C. CASH 27FEB2008	NAME PLUG, 2 CIRCUIT, COMMERCIAL MATE-N-LOK(TM)	
TOLERANCES UNLESS OTHERWISE SPECIFIED: 0 PLC ±- 1 PLC ±- 2 PLC ±0.13 [.005] 3 PLC ±- 4 PLC ±- ANGLES ±0°30' FINISH		APVD C. CASH 27FEB2008	RESTRICTED TO	
MATERIAL NYLON, NATURAL	PRODUCT SPEC -	APPLICATION SPEC -	SIZE A200779	DRAWING NO C-480720
CUSTOMER DRAWING		WEIGHT -	SCALE 5:1	SHEET 1 OF 1 REV J